

POSH

ILLUMINATED CLOSET ROD



POSH

Finally. A closet rod done the QTL way.



QTL-level lighting with 98 CRI and tightly binned LEDs, delivering true-to-life fabric color



Type III hardcoat anodized aluminum resists scratches and corrosion, built for luxury millwork and long-term durability



30 lb/ft load capacity with 48" support bracket spacing, 60 lb/ft with 24" spacing



Fully compliant with NEC 410.2 and 410.16, engineered for safe, worry-free specification



Hidden wireways and concealed bracket design for a cleaner architectural finish



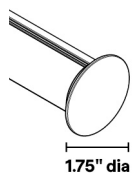
Designed for commercial environments, including hotel guest rooms and retail clothing displays, and high-end residential and multi-unit projects.





POSH FLOAT

POSH Float installs elegantly beneath a shelf or low architectural detail making it an ideal choice for closets without opposing side walls.

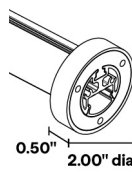


1.75" dia



POSH WALL TO WALL

Add a modern, boutique feel to walk-in and reach-in closets with a continuous span of illumination from wall to wall.



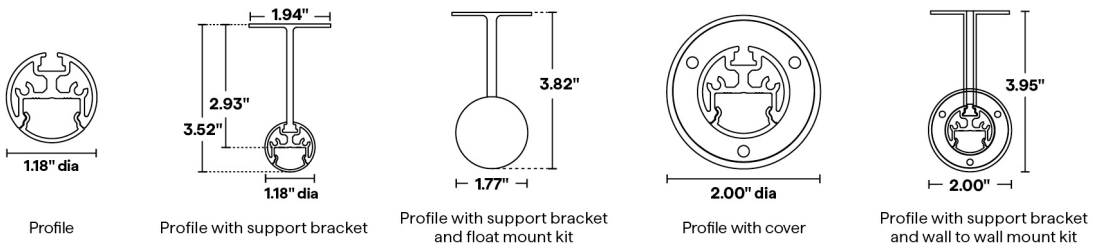
0.50" 2.00" dia



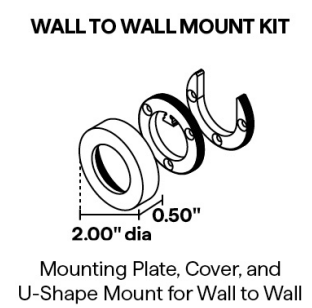
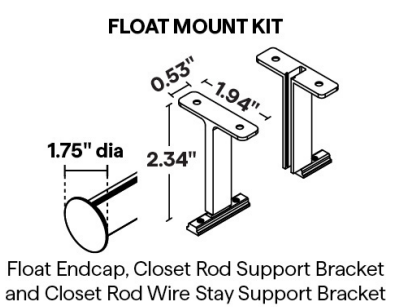
Product shown: POSH FLOAT

POSH EXTRUSION

An extrusion that can be field-assembled, allowing installers to fine-tune the length on site to achieve a precise fit while preserving the clean architectural profile.



MOUNTING



COMPATIBILITY

LED STRIPS

	STATIC WHITE (SW)	STATIC WHITE HIGH EFFICACY (SW-HE)
DRY	✓ W/FT: 15, 3.0, 4.0	✓ W/FT: 15, 3.0
DMP		
ENC		
WET		



Product shown: POSH WALL TO WALL

